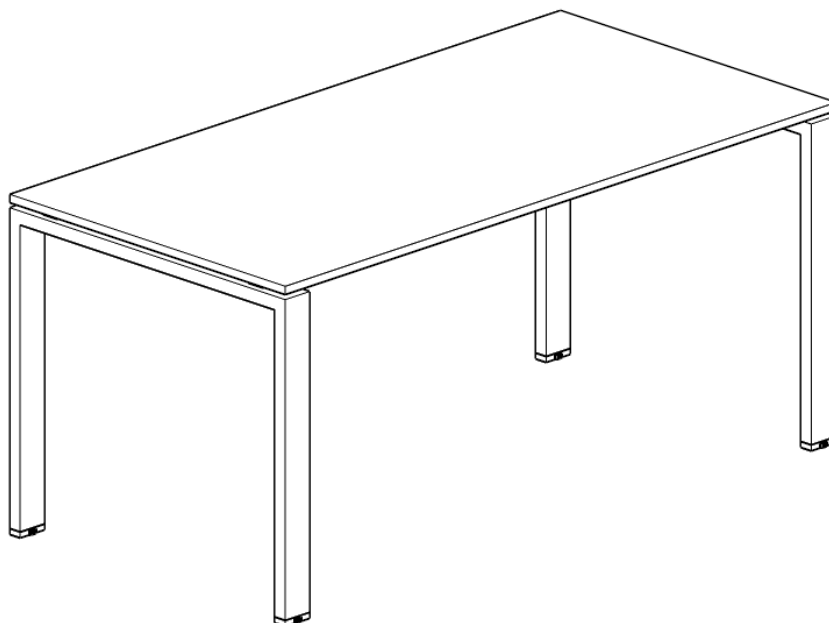


EASY DESK



DIMENSIONS cm (L x D x H)	ITEM
80 x 80 x 74	EA0808M74
100 x 80 x 74	EA1008M74
120 x 80 x 74	EA1208M74
140 x 80 x 74	EA1408M74
160 x 80 x 74	EA1608M74
180 x 80 x 74	EA1808M74
200 x 80 x 74	EA2008M74

STRUCTURE

The metal frame is composed by two rectangular tubular legs, linked to a couple of metal beams.

The legs' endings are completed by height-adjustable plastic feet.

The metal components are painted with epoxy-polyester powders.

Ending legs are available in depth of 60/80/165cm; realizing, according to the established depth order, extensions or small desks, desks or, opposite double work positions.

The middle leg is available for 80-cm-depth and 165-cm-depth.

TOP

Made in melamine, 18 mm thick, boarded in anti-shock ABS.

It comes with bushings on the plan's lower face to anchor it to the structure.

The 80-cm-depth-desks are available in 80/100/120/140/160/180/200 cm length.

The 165-cm-deep opposite double version can be 120/140//160 cm long.

The 60cm-deep-lateral extension is available in 80-100-120 cm length.

The worktop leans on longitudinal beams, but it detaches 1 cm from the legs.

ACCESSORIES

It is possible, in opposite double-leg worktops, to hook central chipboard or glass partitions. Chipboard can be in the same top's finishes, while etched back-enameled glass creates a white effect.

Desks can be equipped with a metal drawer unit hanging from longitudinal beams.

The open compartment boxes are built with chipboard and metal backs.



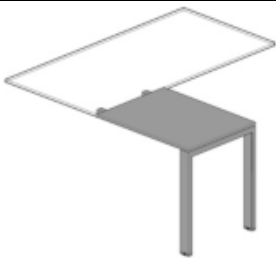


One can add metal supports to the partitions, where it's possible to place accessories (pen holder, magazine rack, object holder shelf, single little drawer).


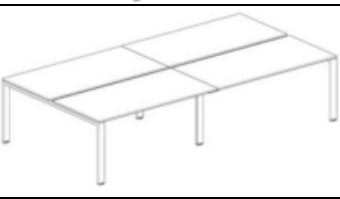
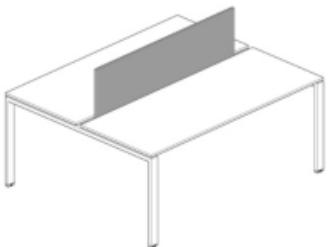
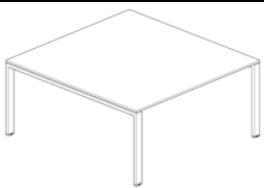
The melamine chipboard modesty panel is attached with metal brackets to the plan's bottom.

NOTES

It is possible to have service unit composed by a drawer unit and two cabinets with doors. The central part can be adapted, on request, to allow the passage of wires. Only the drawer unit has a lock. The feet are in silver plastic.

TYPES

	SMALL DESK	cm 80 x 60 x 74 cm 100 x 60 x 74 cm 120 x 60 x 74 cm 140 x 60 x 74 cm 160 x 60 x 74 cm 180 x 60 x 74 cm 200 x 60 x 74	EA0806M74 EA1006M74 EA1206M74 EA1406M74 EA1606M74 EA1806M74 EA2006M74
	SHAPED DESK –RIGHT OR LEFT SIDE	cm 160 x 160 x 74 cm 160 x 160 x 74 cm 180 x 160 x 74 cm 180 x 160 x 74 cm 200 x 160 x 74 cm 200 x 160 x 74	EA1616MWD EA1616MWS EA1816MWD EA1816MWS EA2016MWD EA2016MWS
	EXTENSION	cm 80 x 60 x 74 cm 100 x 60 x 74 cm 120 x 60 x 74	EA0806MAL EA1006MAL EA1206MAL
	DESK WITH SIDE UNIT – RIGHT OR LEFT SIDE	cm 140 x 140 x 74 cm 140 x 140 x 74 cm 160 x 140 x 74 cm 160 x 140 x 74 cm 180 x 140 x 74 cm 180 x 140 x 74 cm 200 x 140 x 74 cm 200 x 140 x 74	EA1408MMD EA1408MMS EA1608MMD EA1608MMS EA1808MMD EA1808MMS EA2008MMD EA2008MMS
	DESK WITH SIDE UNIT AND MODESTY PANEL – RIGHT OR LEFT SIDE	cm 140 x 140 x 74 cm 140 x 140 x 74 cm 160 x 140 x 74 cm 160 x 140 x 74 cm 180 x 140 x 74 cm 180 x 140 x 74 cm 200 x 140 x 74 cm 200 x 140 x 74	EA1408MMDG EA1408MMSG EA1608MMDG EA1608MMSG EA1808MMDG EA1808MMSG EA2008MMDG EA2008MMSG

	<p>2 PERSONS BENCH</p>	<p>cm 120 x 165 x 74 cm 140 x 165 x 74 cm 160 x 165 x 74 cm 180 x 165 x 74 cm 200 x 165 x 74</p>	<p>EA1216MBE EA1416MBE EA1616MBE EA1816MBE EA2016MBE</p>
	<p>4 PERSONS BENCH</p>	<p>cm 240 x 165 x 74 cm 280 x 165 x 74 cm 320 x 165 x 74 cm 360 x 165 x 74 cm 400 x 165 x 74</p>	<p>EA2416MBE EA2816MBE EA3216MBE EA3616MBE EA4016MBE</p>
	<p>BENCH FRONTAL SCREEN – MELAMINE, FABRIC, FROSTED GLASS</p>	<p>MELAMINE cm 120 cm 140 cm 160 cm 180 cm 200</p> <p>FABRIC cm 120 cm 140 cm 160 cm 180 cm 200</p> <p>GLASS cm 120 cm 140 cm 160 cm 180 cm 200</p>	<p>JOMSCF120 JOMSCF140 JOMSCF160 JOMSCF180 JOMSCF200</p> <p>JOTSCF120 JOTSCF140 JOTSCF160 JOTSCF180 JOTSCF200</p> <p>JOVSCF120 JOVSCF140 JOVSCF160 JOVSCF180 JOVSCF200</p>
	<p>MEETING TABLE</p>	<p>cm 165 x 165 x 74</p>	<p>EA1616M74</p>

FINISHINGS

METAL STRUCTURE



V01 RAL 9016
BIANCO
WHITE
BLANC



V73 RAL 9006
ARGENTO
SILVER
ARGENT



V98 RAL 9011
NERO
BLACK
NOIR

MELAMINE TOPS, MODESTY PANELS AND SCREENS



T01
BIANCO
WHITE
BLANC



T62
GRIGIO CENERE
ASH GREY
GRIS CENDRE



T03
PANNA
CREAM
CRÈME



T07
FAGGIO
BEECH
HETRE



T09
NERO
BLACK
NOIR



T32
ROVERE CHIARO
LIGHT OAK
CHENE CLAIR



T40
NOCE CANALETTO
WALNUT
NOYER



T42
ROVERE SCURO
DARK OAK
CHENE NOIR



T48
BIANCO VENATO
VEINED WHITE
BLANC VEINE



T60
EUCALIPTO
EUCALYPTUS