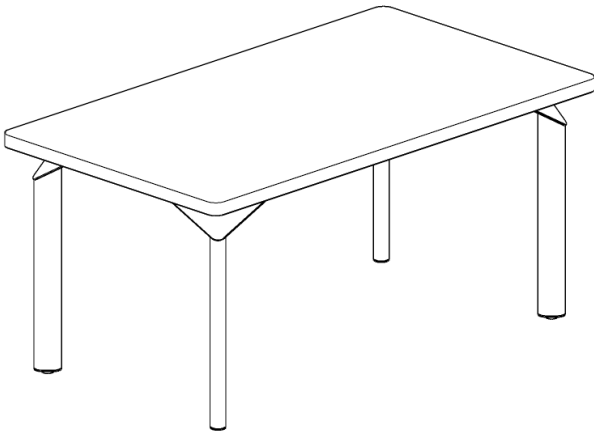
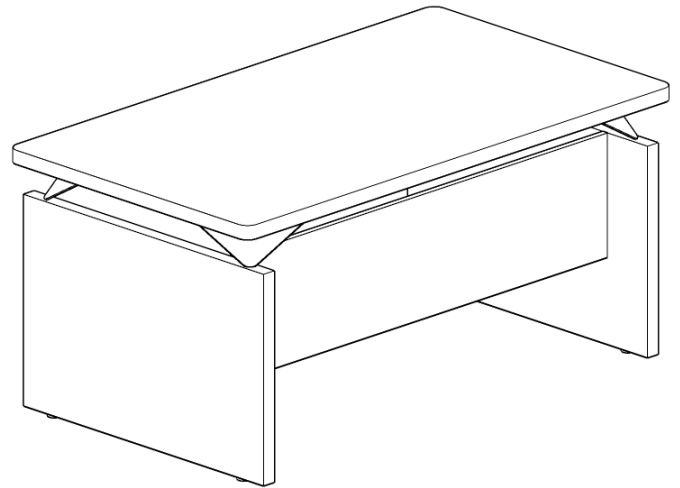


EQUIPE DESK



DIMENSIONS cm (L x D x H)	ITEM
160 x 90 x 75	JL013V
180 x 90 x 75	JL014V
200 x 90 x 75	JL015V



DIMENSIONS cm (L x D x H)	ITEM
160 x 90 x 75	JL016V
180 x 90 x 75	JL017V
200 x 90 x 75	JL018V
220 x 90 x 75	JL125V

STRUCTURE

Made of metal leg or wood panel leg versions. Metal leg version uses a steel tubular piece with an oval section, welded on top to a steel plate bent under the board. An ABS cap closes the tube with an internal levelling foot.

Panel leg version made with some floorplates designed to insert internal levelling feet. All metal structures are powder painting in ovens at 200 degrees with epoxy-polyester powders.

WORKTOP

Ecological melamine wood: thickness 40 mm. All tops have round corners, with a bending radius of 45 mm.

ACCESSORIES

Both pedestal and service unit are made of melamine thickness 18 mm, all components are connected with each other.

Pedestal can have two or three drawers which slide on simple extractable tracks, equipped with nylon coated metal ball bearings.

Each drawer is equipped with a silver plastic handle.

It is equipped with a basement of nr. 4 Ø50 spinning wheels.

The pedestal is equipped with a Yale type locker for simultaneously locking all the drawers and with a double anti-accident foldable key.

The service unit can include two or three combinable elements, specifically a pedestal with two or three drawers, a PC holding module and a cabinet module with right or left door; all these elements can be completed with a unique top or back fixed on 8 cm height feet or nr. Ø60 wheels.

All these elements, if combined, can compose an added element together with the extension plan.

All the drawers are equipped with a Yale type locker and with a double anti-accident foldable key.



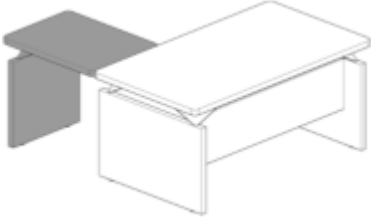
Equipe model is equipped with panel leg extensions, or with service unit, cm 120x120 and 160x160 square meeting tables (table top thickness 28 mm), diameter 80, 100 and 120 round meeting tables, cm 45 or 105 height coffee tables (top thickness 40 mm).

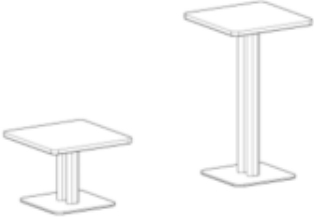


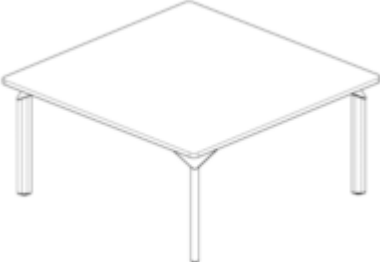
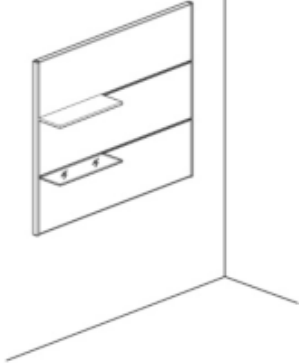
Boiserie: made of an aluminium frame and between panels, which can be assembled on the floor or attached to the wall at a certain height (90 cm, maximum recommended height: 225 cm).


The frame is always in steel colour, while panels are made of ecological wood.

Boiserie: made of an aluminium frame and between panels, which can be assembled on the floor or attached to the wall at a certain height (90 cm, maximum recommended height: 225 cm).

TYPES

	<p>EXECUTIVE DESK WITH CLOSED SIDE EXTENSION – RIGHT OR LEFT SIDE</p>	<p>cm 160 x 170 x 75 cm 160 x 170 x 75 cm 180 x 170 x 75 cm 180 x 170 x 75 cm 200 x 170 x 75 cm 200 x 170 x 75 cm 220 x 170 x 75 cm 220 x 170 x 75</p> <p>cm 160 x 190 x 75 cm 160 x 190 x 75 cm 180 x 190 x 75 cm 180 x 190 x 75 cm 200 x 190 x 75 cm 200 x 190 x 75 cm 220 x 190 x 75 cm 220 x 190 x 75</p> <p>cm 160 x 210 x 75 cm 160 x 210 x 75 cm 180 x 210 x 75 cm 180 x 210 x 75 cm 200 x 210 x 75 cm 200 x 210 x 75 cm 220 x 210 x 75 cm 220 x 210 x 75</p>	<p>JL028V JL031V JL029V JL032V JL030V JL033V JL126V JL127V</p> <p>JL034V JL037V JL035V JL038V JL036V JL039V JL128V JL129V</p> <p>JL040V JL043V JL041V JL044V JL042V JL045V JL130V JL131V</p>
	<p>EXTENSION WITH METAL LEGS</p>	<p>cm 80 x 60 x 75 cm 100 x 60 x 75 cm 120 x 60 x 75</p>	<p>JL019V JL020V JL021V</p>
	<p>EXTENSION WITH PANEL LEGS</p>	<p>cm 80 x 60 x 75 cm 100 x 60 x 75 cm 120 x 60 x 75</p>	<p>JL022V JL023V JL024V</p>

	<p>SQUARE COFFEE TABLE</p>	<p>cm 60 x 60 x 45 cm 60 x 60 x 105</p>	<p>JL051V JL052V</p>
	<p>OVAL MEETING TABLE</p>	<p>cm 350 x 120 x 75</p>	<p>JL132V</p>
	<p>ROUND TABLE</p>	<p>cm Ø 80 x 75 cm Ø 100 x 75 cm Ø 120 x 75</p>	<p>JL046V JL047V JL048V</p>
	<p>SQAURE MEETING TABLE</p>	<p>cm 120 x 120 x 75 cm 160 x 160 x 75</p>	<p>JL049V JL050V</p>
	<p>H135 BOISERIE FOR 3 PANELS</p>	<p>cm 150 x 135 cm 200 x 135</p>	<p>JL133V JL134V</p>

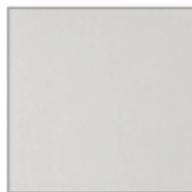
	<p>H225 BOISERIE FOR 4 PANELS</p>	<p>cm 150 x 225 cm 200 x 225</p>	<p>JL135V JL136V</p>
---	---------------------------------------	--------------------------------------	--------------------------

FINISHINGS

METAL STRUCTURE



V01 RAL 9016
BIANCO
WHITE
BLANC



V73 RAL 9006
ARGENTO
SILVER
ARGENT



V98 RAL 9011
NERO
BLACK
NOIR



V03 RAL 1013
AVORIO
IVORY
IVOIRE

MELAMINE TOPS, MODESTY PANELS AND SCREENS



T32
ROVERE CHIARO
LIGHT OAK
CHENE CLAIR



T40
NOCE CANALETTO
WALNUT
NOYER



T42
ROVERE SCURO
DARK OAK
CHENE NOIR



T48
BIANCO VENATO
VEINED WHITE
BLANC VEINE



T60
EUCALIPTO
EUCALYPTUS

BOISERIE



T01
BIANCO
WHITE
BLANC



T62
GRIGIO CENERE
ASH GREY
GRIS CENDRE



T03
PANNA
CREAM
CRÈME



T07
FAGGIO
BEECH
HETRE



T09
NERO
BLACK
NOIR

MECO
OFFICE

MECO EDUCATIONAL

MECO OFFICE

MECO INDUSTRIAL